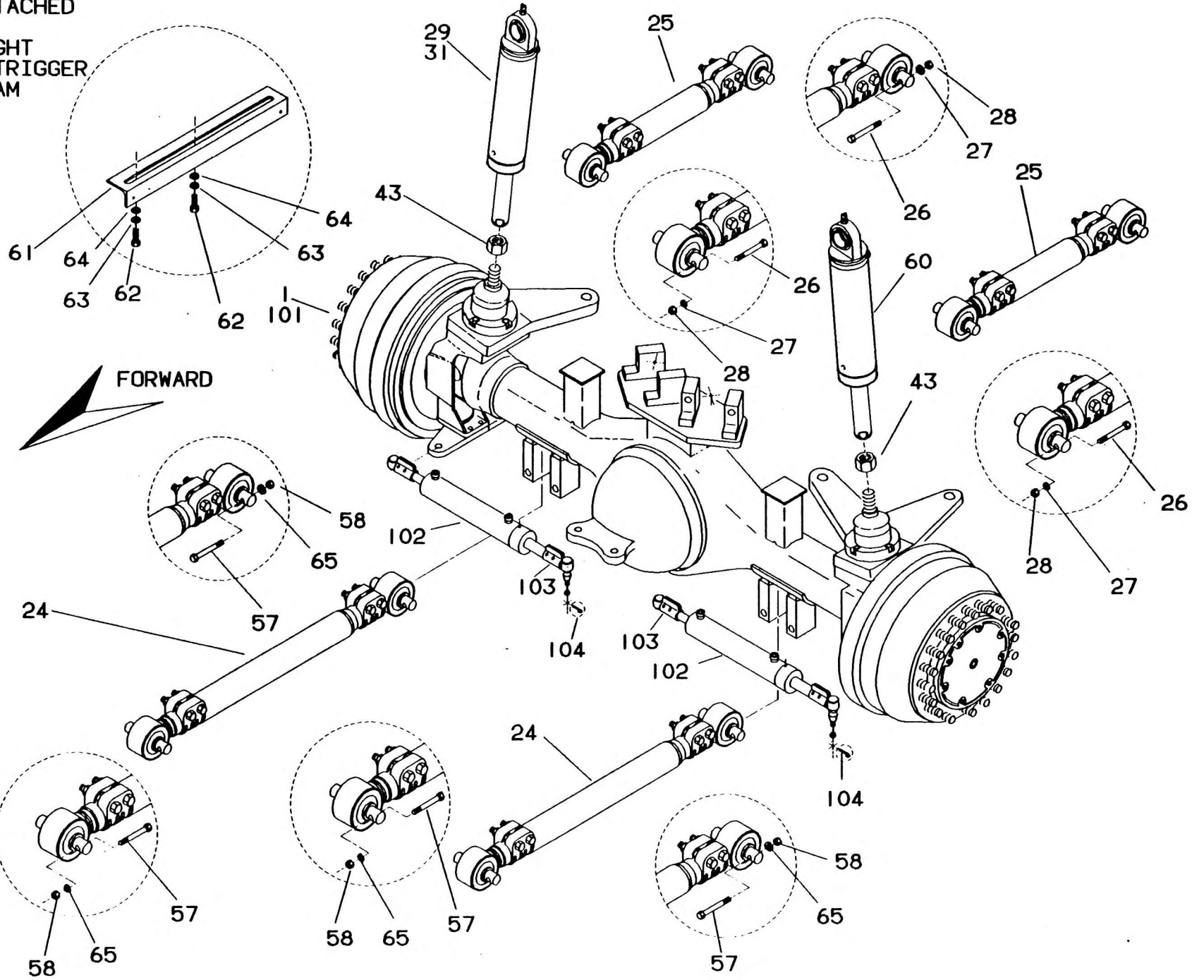
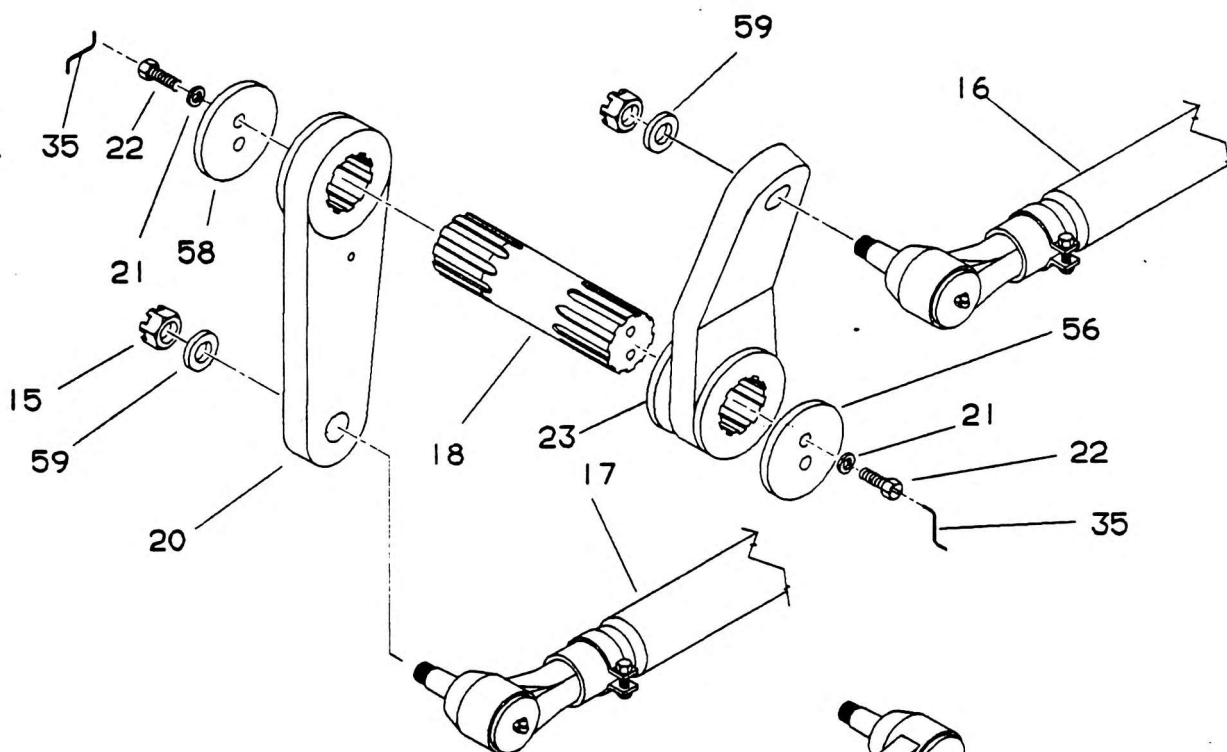
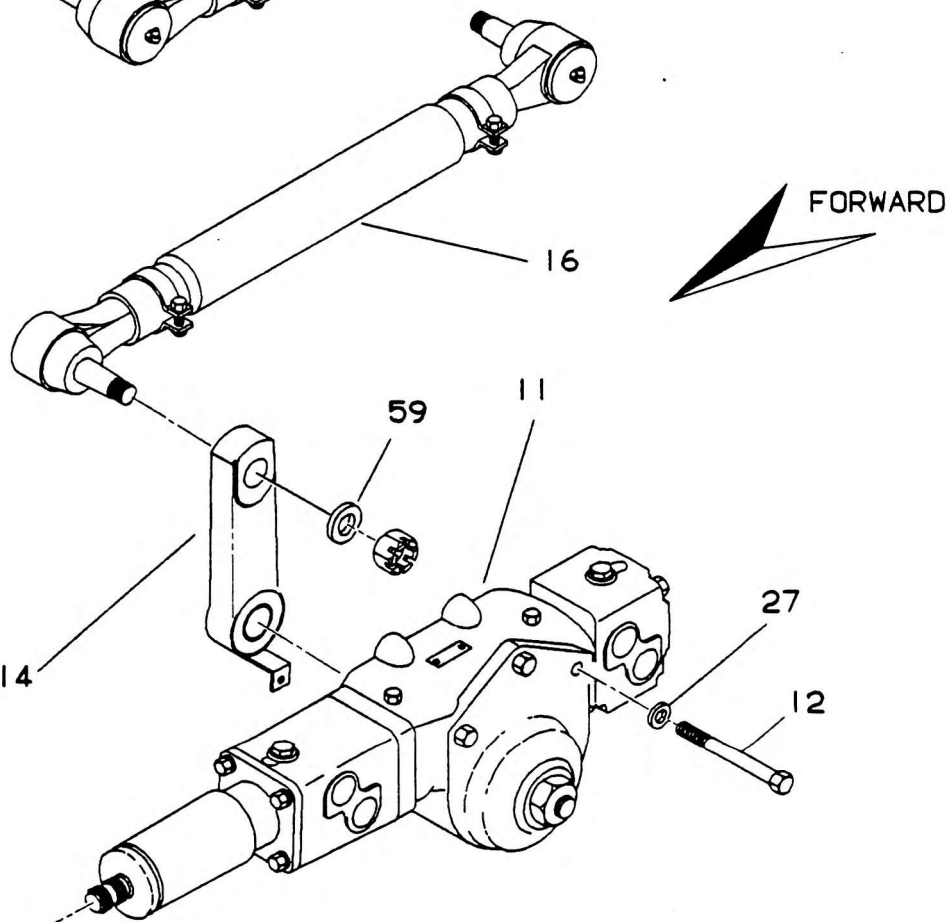


ATTACHED
TO
RIGHT
OUTRIGGER
BEAM





NOTE:
NUTS SUPPLIED
WITH DRAG LINK



FORWARD

SEE SHEET 1

